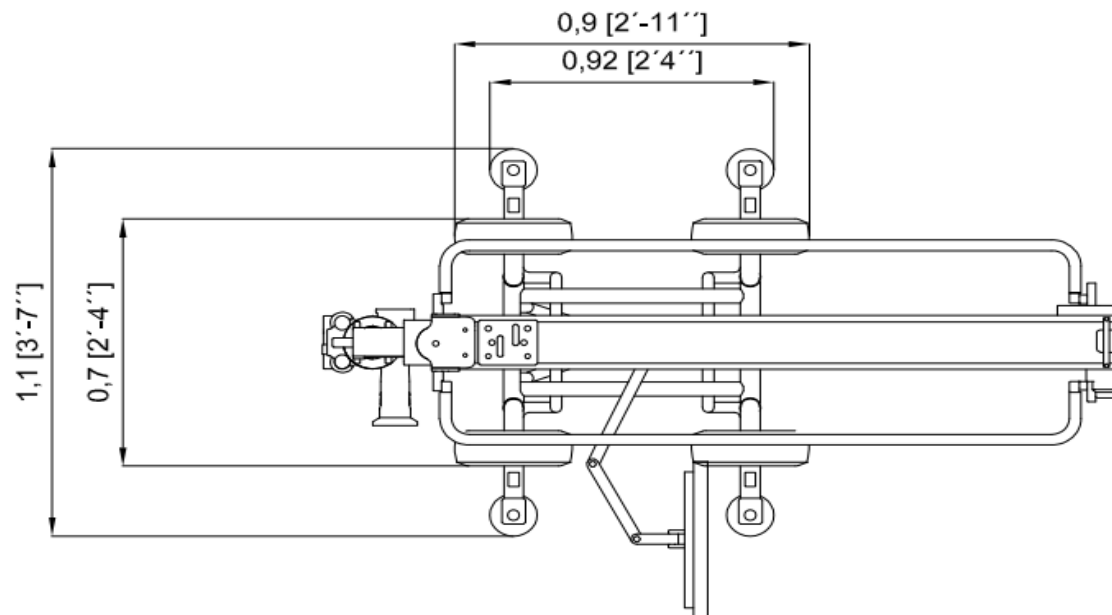


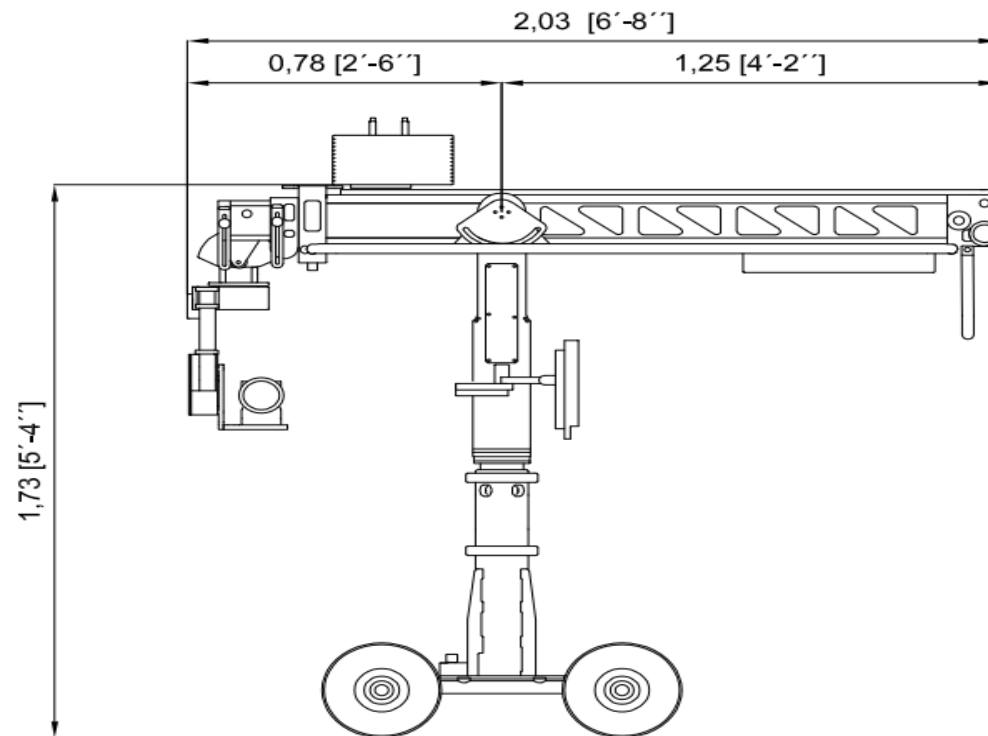
Technocrane10+

Max. lens height:	4,28 m / 14 ft.
Max. telescopic extent:	2,25 m / 7,4 ft.
Max. camera weight:	13 kg / 30 lb
Total weight:	249 kg / 549 lb
Max. speed	1,5 m/s



Technocrane10+

Max. lens height:	4,28 m / 14 ft.
Max. telescopic extent:	2,25 m / 7,4 ft.
Max. camera weight:	13 kg / 30 lb
Total weight:	249 kg / 549 lb
Max. speed:	1,5 m/s



Technocrane10+

Max. lens height:	4,28 m / 14 ft.
Max. telescopic extent:	2,25 m / 7,4 ft.
Max. camera weight:	13 kg / 30 lb
Total weight:	249 kg / 549 lb
Max. speed:	1,5 m/s

